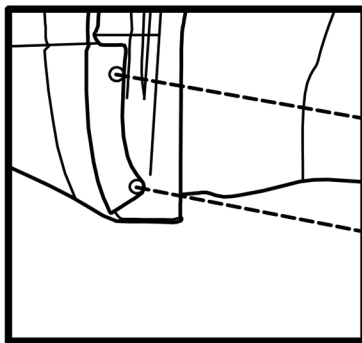
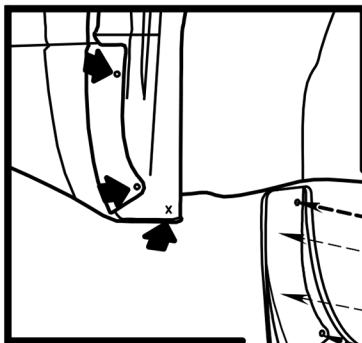
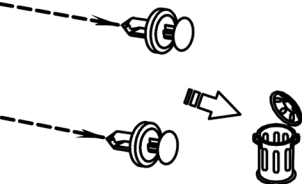


Mudflaps front Suzuki Grand Vitara 2008->




Preparation

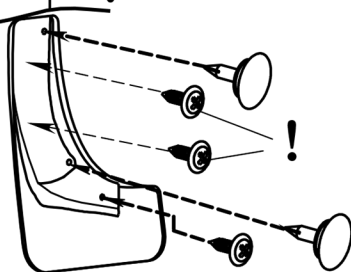
2x  - Original plastic rivet



Installation

2x  - Plastic rivet ϕ 6x25

3x  - Screw ϕ 4,2x16



! Optionally for better fit fasten by screws in specified points.

Art.: EXP.NLF.47.04.F13

Set package

Mudflap - 2 pcs

Plastic rivet ϕ 6x25mm - 4pcs

Screw ϕ 4,2x16mm - 6pcs