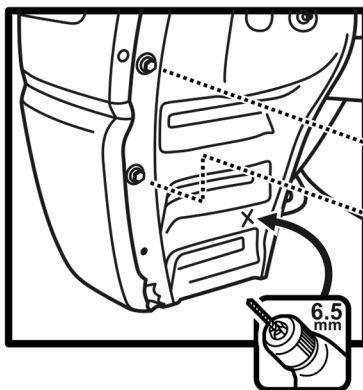


# Mudflaps rear Mitsubishi ASX 06/2010 →

## Preparation

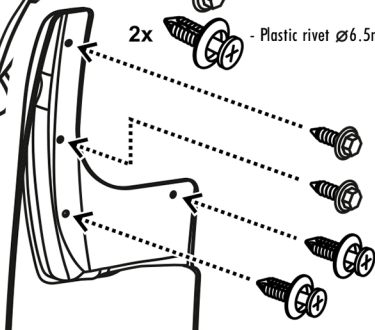
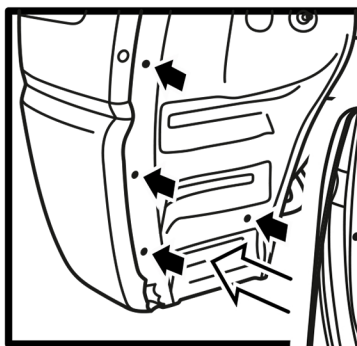
2x  - Original screw



## Installation

2x  - Original screw

2x  - Plastic rivet  $\varnothing 6.5\text{mm}$



Art.: EXP.NLF.35.25.E13

Set package

Mudflap - 2pcs.  
Plastic rivet  $\varnothing 6.5\text{mm}$  - 4pcs.