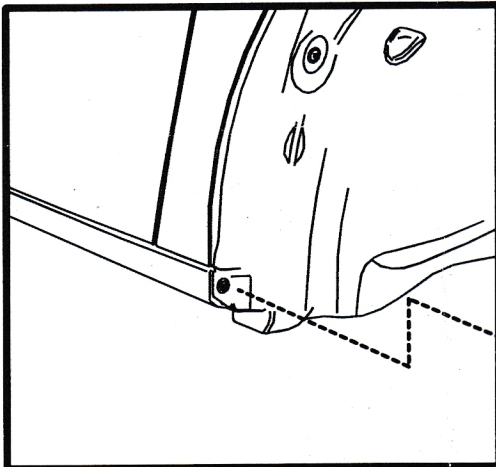


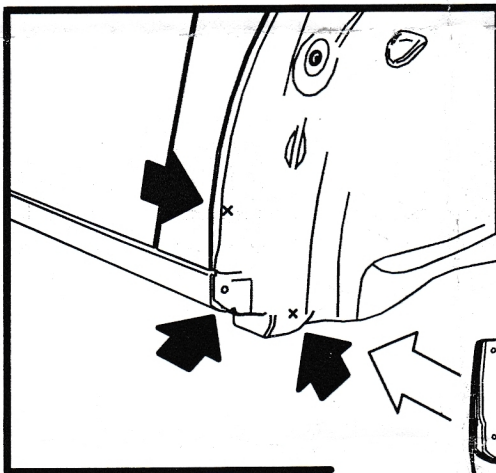
# FROSCH

## Mudflaps front Citroen C-elysee,2013-> /Peugeot 301,2013->



### Preparation

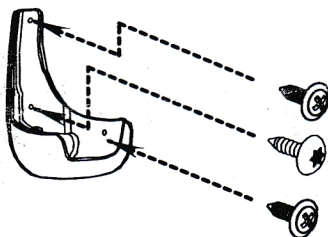
1x  Original Screw



### Installation

1x  Original Screw

2x  Screw  $\varnothing 4,2 \times 16 \text{mm}$



Art: EXP.NLF.10.30.F10

Set package

Mudflap - 2 pcs

Screw  $\varnothing 4,2 \times 16 \text{mm}$  - 4 pcs